

heated food merchandiser

model : **GS1405**



FUNCTIONAL FEATURES

- Adjustable thermostat
- Temperature range to above 150°F
- Non Humidified

CONSTRUCTION FEATURES

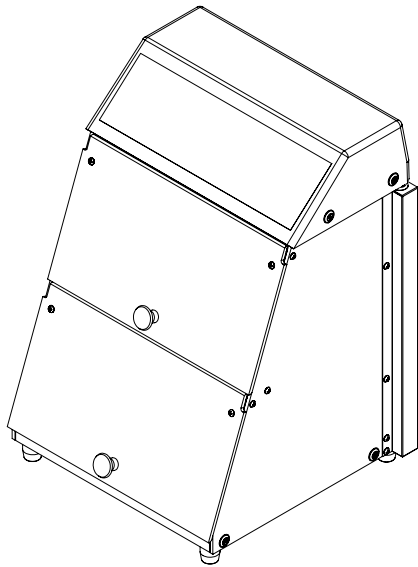
- Acrylic display
- Dual front doors
- Stainless steel base
- Overhead illumination
- 2 removable racks

This compact heated food merchandiser makes it easy to grab a quick snack. It can accommodate a variety of food products such as pretzels, cheese cups, cookies, wrapped sandwiches, burritos, pastries, and many more.



heated food merchandiser

model : **GS1405**



SPECIFICATIONS:

- Width 12.25"
- Depth 13.25"
- Height 18.25"
- Upper Rack 11.5" x 9"
- Lower Rack 11.5" x 11.5"
- Shipping Dimensions 16" x 16" x 23"
- Shipping Weight 23 lbs
- Voltage** **120**
- Wattage** **300**
- Amps** **2.5**

- Best when operated on an individual branch circuit
- 6-ft power cord length

