

# heated food merchandiser

models : GS1400-16, GS1400-16-2 &  
GS1400-25, GS1400-25-2



## FUNCTIONAL FEATURES

- Adjustable thermostat
- Temperatures from 80°F to above 150°F

## CONSTRUCTION FEATURES

- Acrylic display
- Stainless steel corners and base
- 2-door “self-serve” option available
- Additional shelves available

### Model GS1400-16:

- Available as single-door or 2-door pass through unit (GS1400-16-2)
- Total height of available shelf space: 14"
- Unit comes with 2 shelves

### Model GS1400-25:

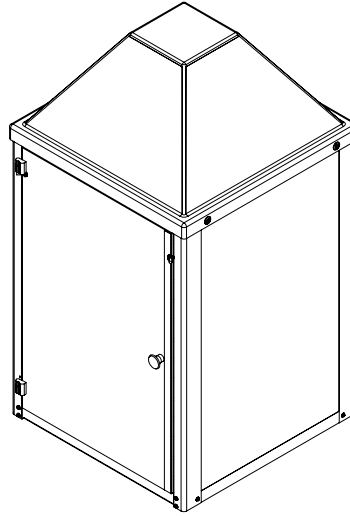
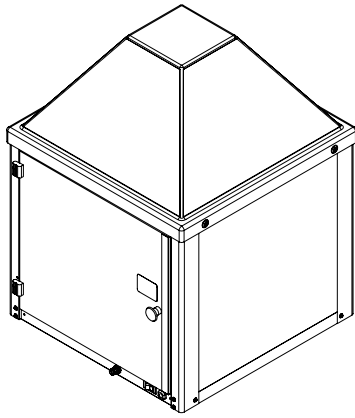
- Available as single-door or 2-door pass through unit (GS1400-25-2)
- Total height of available shelf space: 23"
- Unit comes with 4 shelves

These warmers utilize circulating, heated air to maintain food above 150°F for extended periods of time. Their versatility is showcased with a shelving system that allows you to adjust the shelves to *your* specific needs resulting in an endless variety of food items it can accommodate.



# heated food merchandiser

models : GS1400-16, GS1400-16-2 &  
GS1400-25, GS1400-25-2



**SPECIFICATIONS MODEL GS1400-16:**

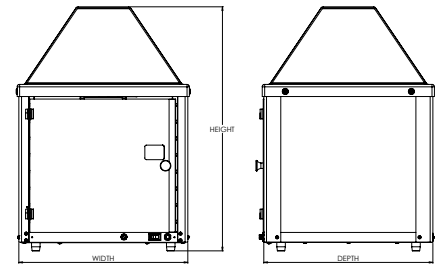
Width .....18"  
Depth.....18"  
Height.....25"  
Shipping Dimensions.....24" x 24" x 32"  
Shipping Weight .....43 lbs  
**Voltage..... 120**  
**Wattage ..... 640**  
**Amps ..... 5.3**

- Best when operated on an individual branch circuit
- 6-ft power cord length

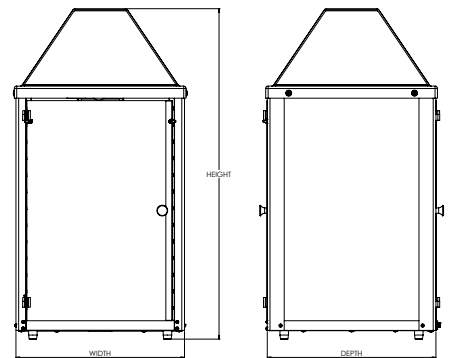
**SPECIFICATIONS MODEL GS1400-25:**

Width .....18"  
Depth.....18"  
Height.....34"  
Shipping Dimensions.....26" x 26" x 45"  
Shipping Weight .....63 lbs  
**Voltage..... 120**  
**Wattage ..... 640**  
**Amps ..... 5.3**

- Best when operated on an individual branch circuit
- 6-ft power cord length



MODEL GS1400-16



MODEL GS1400-25