

digital convection oven

model: **GS1125**



CAPACITY

4- 18" x 13" / 46cm x 33cm half size pans

FUNCTIONAL FEATURES

- Set temperature from 200°F to 500°F
- Set cooking time up to 9 hours and 59 minutes or "infinite" time to adjust cooking duration manually
- 2 cooking options available:
 - Convection cooking
 - Convection cooking with humidity/steam
- **Humidity/steam** set in manual or automatic mode (from 10% to 100%)
- 4 cooking steps available
- Possibility to set a delayed start of the cooking cycle up to 9 hours and 59 minutes
- Possibility to set a temperature and humidity/steam maintenance cycle
- Automatic preheating for programmed cooking cycles

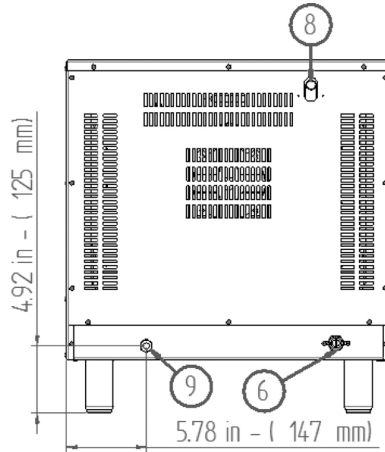
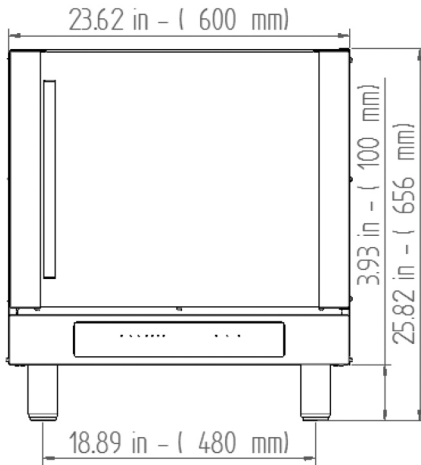
CONSTRUCTION FEATURES

- Cooking chamber entirely made with stainless steel
- Oven shell entirely made with stainless steel
- Inspection door to facilitate cleaning operations
- Reversing motor to guarantee cooking uniformity
- Recessed gasket to guarantee chamber cooking seal

Great for any size kitchen that needs to bake in small batches. This half size convection oven is the perfect space-saving solution for a tight kitchen. The added steam feature helps keep your food moist and digital controls make managing your cooking even easier.

digital convection oven

model: **GS1125**



- 6. Softened Water Inlet
(Threaded Electrovalve 3/4")
- 8. Steam Exhaust
- 9. Cable Gland for Power Supply

INSTALLATION REQUIREMENTS:

- The oven must be positioned on a leveled surface
- Hot surfaces must comply with the minimum distances from the oven:
 - LEFT SIDE: 19.7" (50cm)
 - RIGHT SIDE: 3.94" (10cm)
 - REAR PANEL: 3.94" (10cm)
- Other surfaces must comply with the minimum distances from the oven:
 - LEFT SIDE: 3.94" (10cm)
 - RIGHT SIDE: 3.94" (10cm)
 - REAR PANEL: 3.94" (10cm)

SPECIFICATIONS:

- Width 23.62" (60cm)
- Depth..... 27.83" (70.7cm)
- Height..... 25.82" (65.6cm)
- Unit Weight 104 lbs (47.2kg)
- Shipping Weight 106.7 lbs (48.4kg)
- Voltage.....208-240**
- Rated Wattage.....2750-2900**
- Nominal Amps 11.5-13**
- Plug Configuration NEMA 6-20**