

BusBoy by

NEMCO
FOOD EQUIPMENT

Commercial Food Waste
Disposer Systems

JOB _____ ITEM # _____

Commercial Disposer Model B750 - 3/4 hp



Application

The Bus Boy Model B750 - 3/4 hp disposer is designed for use at food preparation or dishwashing stations where the overall volume of food waste is light.

Motor

Continuous duty 3/4 hp, totally enclosed for maximum protection against moisture. Fan-cooled with integral thermal overload protection. Dual voltage motors available in single phase 115/230 volts, 60 cycle or three phase 208/220/440 volts, 60 cycle. See Motor Data. Permanently lubricated bearing systems.

Motor Data

Model B750-3/4 hp-1725 rpm (60 cycle).

Single Phase: 115/230 Volts, 10.8/5.4 Amps. Overload Protection in Motor.

Three Phase: 208/220-440 Volts, 2.7/1.35 Amps. Overload Protection in Motor.

Motor Shaft Seals

Dual independent motor shaft seal provides double protection of motor from water damage.

Hopper

Corrosion-resistant with auxiliary water inlet. 6" throat opening.

Grinding Table

5 1/16" diameter, dynamically balanced cast chrome alloy, heat treated to 56-58 Rockwell C. Two permanently affixed impact lugs. Precision-ground to a tolerance of .005" to grinding sleeve for maximum grind ability.

Grinding Sleeve

5 1/16" diameter, cast chrome alloy, heat treated to 58-60 Rockwell C. Six permanently affixed primary breakup lugs and 48 precision grinding teeth.

Waste Outlet

Waste outlet pipe size is 1 1/2".

Mounting Assemblies

See reverse page. Cones - 12", 15" or 18" diameter, stainless steel. Sink or trough adapter flange, stainless steel, 6" diameter. All mounting assemblies include specially-designed neoprene silencer which isolates disposers from metal-to-metal contact, absorbs vibration and greatly reduces noise level.

Adapters

Available for replacing other manufacturers' units with Bus Boy.

Agency Listings

Bus Boy Model B750 is listed by Underwriters' Laboratories, Inc., for 60 cycle operation.

Warranty

Warranted for one year covering parts and labor. All installations MUST be made in accordance with applicable local codes.

Approximate Weight

42 lbs. shipping.

Accessories

Consult Price List for Accessories, Cut-Down, and Alternate Hoppers.

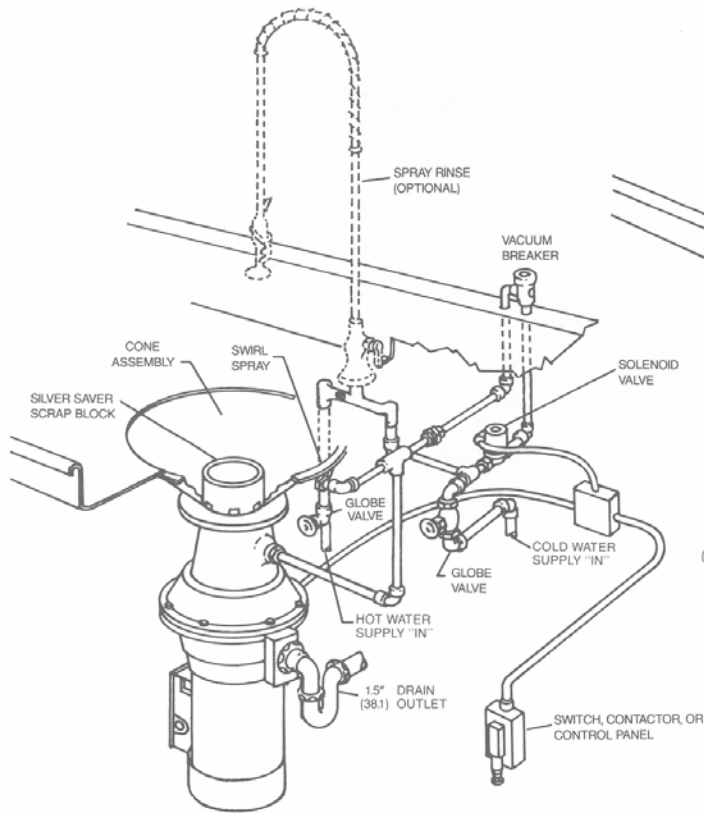
NEMCO FOOD EQUIPMENT
301 Meuse Argonne • Hicksville, OH 43526 USA
Phone (419) 542-7751 • Fax (419) 542-6690
Toll Free (800) 782-6761
www.nemcofoodequip.com

Commercial Disposer

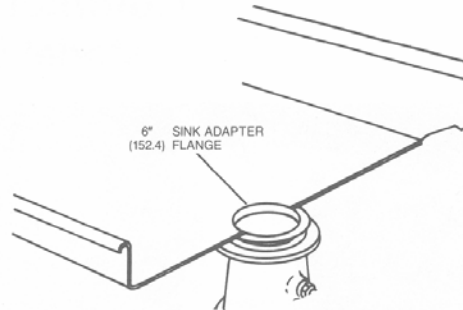
Model B750 - 3/4 hp

We reserve the right to change specifications and product design without notice. Such revisions do not entitle the buyer to corresponding changes, improvements, additions or replacements for previously purchased equipment.

NOTE: ALL FIGURES IN PARENTHESES ARE IN MILLIMETERS.

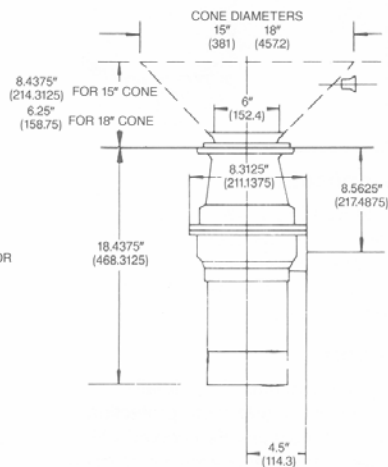


TYPICAL INSTALLATION



SINK FLANGE INSTALLATION

MODEL B750
DIMENSIONAL INFORMATION



BusBoy by

NEMCO
FOOD EQUIPMENT

Printed in U.S.A.

11/03

NEMCO FOOD EQUIPMENT
301 Meuse Argonne
Hicksville, OH 43526 USA