

Job _____ Item# _____

Commercial Disposer Model 4000 - 3 hp



Application

The Bus Boy Model 4000 - 3 hp disposer is designed for use in large food service operations with extremely heavy bulky waste.

Motor

Dual-directional 3 hp, totally enclosed for maximum protection against moisture. Fan-cooled with integral thermal overload protection. Dual voltage motors available in three phase 208/220/440 volts, 60 cycle. No single phase motors available.

Motor Data

Model 4000 - 3 hp - 1725 rpm
(60 cycle).

Three Phase Only: 208/220/440
Volts, 10.7/6.0 Amps. Overload
Protection in Motor.

Motor Shaft Seals

Dual independent motor shaft seal provides double protection of motor from water damage.

Hopper

Corrosion-resistant with auxiliary water inlet. 6" throat opening.

Grinding Table

10⁷/₈" diameter, dynamically balanced cast chrome alloy, heat treated to 56-58 Rockwell C. Four permanently affixed impact lugs. Precision-ground to a tolerance of .005" to grinding sleeve for maximum grind ability.

Grinding Sleeve

10⁷/₈" diameter, cast chrome alloy, heat treated to 58-60 Rockwell C. Sixteen permanently affixed primary breakup lugs and 48 precision grinding teeth.

Waste Outlet

Waste outlet pipe size is 3".

Mounting Assemblies

See reverse page. Cones - 15" or 18" diameter, stainless steel. Sink or trough adapter flange, stainless steel 6" diameter. All mounting assemblies include specially-designed neoprene silencer which isolates disposers from metal-to-metal contact, absorbs vibration and greatly reduces noise level.

Adapters

Available for replacing other manufacturers' units with Bus Boy.

Agency Data

Bus Boy Model 4000 - 3 hp is Underwriters' Laboratories, Inc. listed.

Warranty

Warranted for one year covering parts and labor. All installations MUST be made in accordance with applicable local codes.

Approximate Weight

200 lbs. shipping.

Accessories

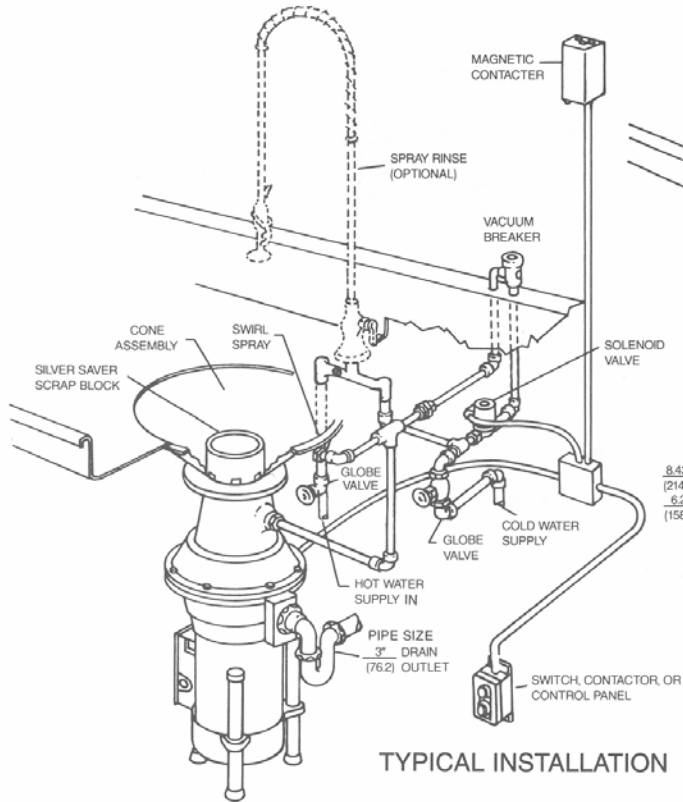
Consult Price List for Accessories, Cut-Down and Alternate Hoppers.



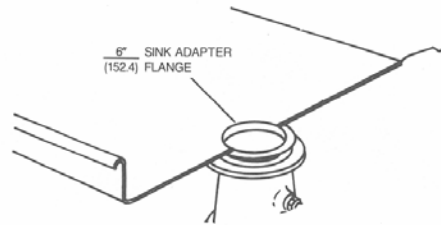
Commerical Disposer Model 4000 - 3 hp

We reserve the right to change specifications and product design without notice. Such revisions do not entitle the buyer to corresponding changes, improvements, additions or replacements for previously purchased equipment.

NOTE: ALL FIGURES IN PARENTHESES ARE IN MILLIMETERS

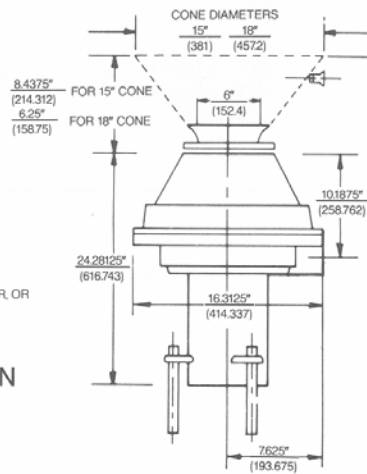


TYPICAL INSTALLATION



INSTALLATION

MODEL 4000—DIMENSIONAL INFORMATION



Bus Boy

by NEMCO
Printed in U.S.A.

11/97

NEMCO FOOD EQUIPMENT
301 Meuse Argonne
Hicksville, OH 43526 USA