

BusBoy by

NEMCO
FOOD EQUIPMENT

Commercial Food Waste
Disposer Systems

JOB _____ ITEM # _____

Commercial Disposer Model B1000 - 1 hp



Application

The Bus Boy Model B1000 - 1 hp disposer is designed for intermediate-sized installations with predominantly average and some heavy food waste.

Motor

Dual-directional 1 hp, totally enclosed for maximum protection against moisture. Fan-cooled with integral thermal overload protection. Dual voltage motors available in single phase 120/240 volts, 60 cycle; three phase 208-240/480 volts, 60 cycle. See Motor Data. Permanently lubricated bearing systems.

Motor Data

Model B1000-1 hp-1725 rpm (60 cycle).

Single Phase: 120/240 Volts, 12.3/6.1 Amps. Overload Protection in Motor.

Three Phase: 208-240/480 Volts, 3.4/1.7 Amps. Overload Protection in Motor.

Motor Shaft Seals

Dual independent motor shaft seal provides double protection of motor from water damage.

Hopper

Corrosion-resistant with auxiliary water inlet. 6" throat opening.

Grinding Table

6³/₄" diameter, dynamically balanced cast chrome alloy, heat treated to 58-60 Rockwell C. Two permanently affixed impact lugs. Precision-ground to a tolerance of .005" to grinding sleeve for maximum grind ability.

Grinding Sleeve

6³/₄" diameter, cast chrome alloy, heat treated to 58-60 Rockwell C. Six permanently affixed primary breakup lugs and 48 precision grinding teeth.

Waste Outlet

Waste outlet pipe size is 2".

Mounting Assemblies

See reverse page. Cones - 12", 15" or 18" diameter, corrosion-resistant stainless steel. Sink or trough adapter flange, stainless steel, 6" diameter. All mounting assemblies include specially-designed neoprene silencer which isolates disposers from metal-to-metal contact, absorbs vibration and greatly reduces noise level.

Adapters

Available for replacing other manufacturers' units with Bus Boy.

Agency Data

Bus Boy Model B1000 - 1 hp is Underwriters' Laboratories, Inc., listed.

Warranty

Warranted for one year covering parts and labor. All installations MUST be made in accordance with applicable local codes.

Approximate Weight

61 lbs. shipping.

Accessories

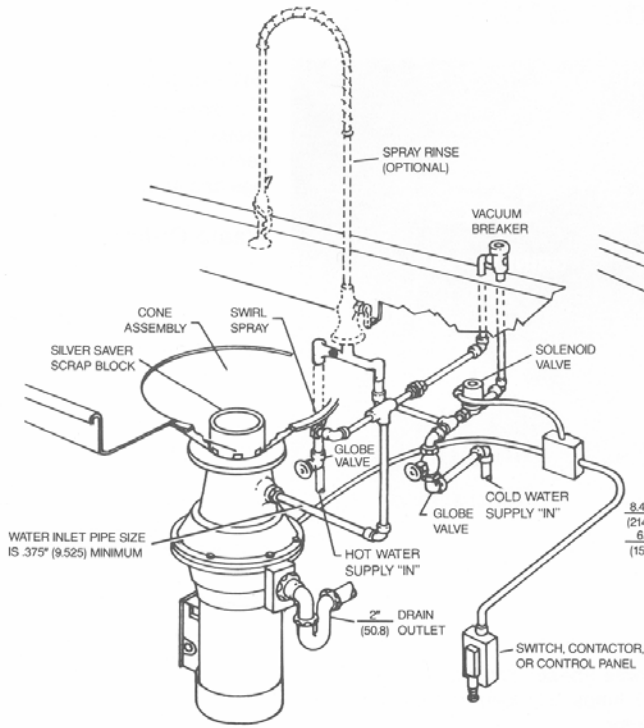
Consult Price List for Accessories, Cut-Down and Alternate Hoppers.

NEMCO FOOD EQUIPMENT
301 Meuse Argonne • Hicksville, OH 43526 USA
Phone (419) 542-7751 • Fax (419) 542-6690
Toll Free (800) 782-6761
www.nemcofoodequip.com

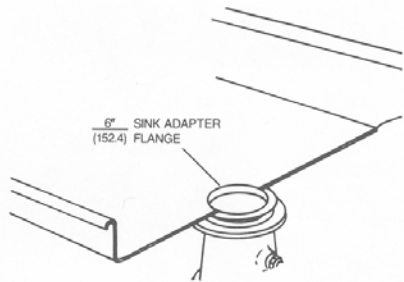
Commercial Disposer Model B1000 - 1 hp

We reserve the right to change specifications and product design without notice. Such revisions do not entitle the buyer to corresponding changes, improvements, additions or replacements for previously purchased equipment.

NOTE: ALL FIGURES IN PARENTHESES ARE IN MILLIMETERS.

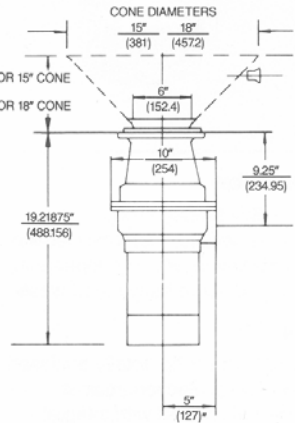


TYPICAL INSTALLATION



SINK FLANGE INSTALLATION

MODEL B1000—DIMENSIONAL INFORMATION



BusBoy by

