

Item No. _____

Quantity _____

nemco[®] | FOOD
EQUIPMENT

Model No.
8033SX-SLT, 8055SX-SLT

High Capacity Roller Grill



Nemco's roller grills have always been famous for their superior diehard cooking performance. 360° roller rotation prevents residue buildup, while individual roller heating elements ensure heating consistency with an extra roller for added capacity. These two models have slanted end panels that match the slanted rollers for merchandising. The 8033 and 8055 series come with one motor and two infinite controls. Infinite controls offer versatile temperature control, front and rear rollers have their own heat controls. The synthetic bearing and grease barrier double-protect components from grease, the rear rollers use a white grease barrier, front rollers use a black grease barrier. Easy access to the motor and chain from side panel. Removable drip pan makes for easy cleaning. Requires no ventilation system. The rollers come with GripsIt coating – turns even difficult-to-turn products and makes clean up easy for those sugarycoated products and breakfast items.

Standard Features:

- Rugged stainless steel construction
- Extra roller for added capacity
- Simplest installation – plugs into any outlet with corresponding voltage
- *GripsIt* Rollers
- Roller grills slant 7° for effective merchandising
- One motor operates rollers
- Rollers rotate at a complete 360° turn by means of a roller sprocket, motor sprocket and chain
- End bearing and grease barrier double protect against grease seepage
- One year parts and labor warranty
- cETLus & NSF Listed

Optional Accessories:

- 4" adjustable legs
- Polycarbonate Guards available for all roller grills; offers sanitary protection
- Heated and humidified Bun Warmers keep buns fresh and ready to serve
- Bun boxes come in a variety of sizes for great merchandising
- Stainless steel Condiment Bars and Stations provide a neat and efficient way to provide condiments



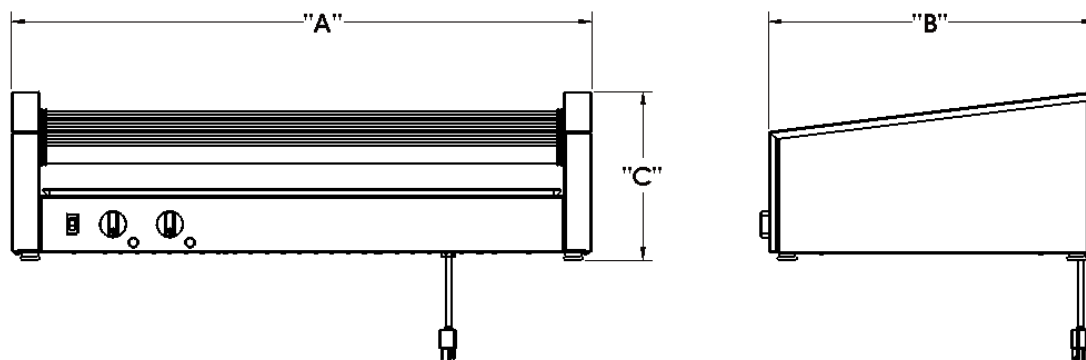
NEMCO Food Equipment, Ltd.
301 Meuse Argonne Ave.
Hicksville, OH 43526
Phone 419-542-7751
FAX 419-542-6690
www.nemcofoodequip.com

High Capacity Roller Grill

Model Nos.

8033SX-SLT, 8055SX-SLT

AIA File No.



SPECIFICATIONS

| Model No. | Hot Dog Capacity | Width Inches/(cm) (A) | Depth Inches/(cm) (B) | Height Inches/(cm) (C) | Voltage | Rated Wattage | Nominal Amps | Plug Configuration | Unit Weight lbs./ (Kg)** | Shipping Weight lbs./ (Kg)** |
|------------|------------------|--------------------------|--------------------------|---------------------------|---------|---------------|--------------|--------------------|-----------------------------|---------------------------------|
| 8033SX-SLT | 33 | 23 3/4" (60.3) | 20 1/8" (51.1) | 10 3/8" (26.4) | 120 | 1200 | 10.0 | 5-15 P | 37 (16.8) | 45 (20.4) |
| 8055SX-SLT | 55 | 35 3/4" (90.8) | 20 1/8" (51.1) | 10 3/8" (26.4) | 120 | 1560 | 13.0 | 5-20 P | 62 (28.1) | 72 (32.7) |

TYPICAL SPECIFICATIONS

Roller Grill shall be stainless steel construction and use a special non-slip *GripsIt* rollers and tubular heating elements. One element shall be contained in each roller, with an extra roller for added capacity. Unit shall have a sealed motor with ball bearings for long life. Each roller shall have a PTFE end bearing and silicone grease barrier combination. The unit shall be equipped with two indicator lights and operate on 120 Volts (60Hz) with one 6' cord and NEMA 5-15P. This Roller Grill shall carry the approval of cETLus and is listed with the National Sanitation Foundation.

nemco® | FOOD EQUIPMENT

NEMCO Food Equipment, Ltd.
301 Meuse Argonne Ave.
Hicksville, OH 43526
Phone 419-542-7751
FAX 419-542-6690
www.nemcofoodequip.com