



**SOUP MERCHANDISER**  
**Model Series: 6510-D7-( )**

**OPERATING INSTRUCTIONS**

Thank-you for purchasing this soup merchandiser. Before operating this unit, read the following operating and safety instructions. Save these instructions.

**WARNING: ELECTRIC SHOCK, FIRE OR BURN INJURIES CAN OCCUR IF THIS EQUIPMENT IS NOT USED PROPERLY.**

To reduce the risk of injury:

- Plug into grounded electrical outlets only.
- Use only on flat, level surfaces.
- Unplug warmer and let cool before cleaning or moving.
- Unplug warmer when not in use.
- **Do not immerse in water**
- **Do not spray with water and do not clean with a water jet.**
- Handle hot water carefully.
- Do not operate without water in the well.

Function and Purpose – This unit is intended to HOLD containers of previously cooked, HOT food at the proper temperature. **THIS UNIT IS DESIGNED TO OPERATE WITH WATER IN THE WELL. WET OPERATION IS REQUIRED TO MAINTAIN SAFE FOOD ZONE TEMPERATURES (NSF), FOR MORE EVEN HEAT DISTRIBUTION, LOWER OPERATING COSTS AND LONGER TROUBLE FREE SERVICE. FOOD PANS MUST BE COVERED TO MAINTAIN TEMPERATURE WHEN FOOD IS NOT BEING SERVED.**

Operations:

1. Place the unit on a flat stable surface.
2. Fill the well with approximately 1-inch or 4 quarts of water. Do not allow water level to go higher than this. The food warmer will work most efficiently when used with water.

**Warning**

**Electric Shock Hazard**

**Keep water level at or below soup turines. If the water level is too high, water may overflow when the food containers are inserted. The overflow could enter the electrical compartment and may cause a short circuit or electric shock.**

3. Plug cord into a grounded 110 to 120 volt electrical outlet.
4. Preheat the water in the well by covering the well with an empty food container or cover and set heat control knob to the maximum heat setting for the recommended time listed below.
  - 15 minutes if well was filled with HOT water.
  - 25 minutes if well was filled with COLD water.
5. Place stainless steel 7-quart insets of food into unit. Cover inset with lid. To prevent spills, do not overfill the food container.
6. For the function of hot food holding, set the heat control knob to the desired setting. Monitor food temperatures closely for food safety. The United States Public Health Service recommends that food be held at 150 to 160°F or above to help prevent the growth of organisms.

***THE INSETS MUST BE COVERED TO MAINTAIN TEMPERATURES WHEN FOOD IS NOT BEING SERVED.***

7. During normal operation for food holding periodically remove container and check water level. Add hot water if necessary. Stir occasionally.

**Warning**  
**Burn Hazard**

**Hot water and steam in the well can burn the skin. Use protective gloves, mitts or potholders when removing food container or cover. Hot food and water can also cause burns. Handle food carefully.**

**Cleaning:** To maintain appearance and increase the service life, the unit should be cleaned at least daily.

1. Before cleaning or moving unplug the unit and let it cool completely.
2. Carefully empty the hot water bath from the well.
3. Wipe the entire well interior with a clean damp cloth.
4. If soap or chemical cleaners are used, be sure they are completely rinsed away with clear water, immediately after cleansing. Chemical residue could damage unit.
5. DO NOT USE STEEL WOOL – USE NYLON PADS.
6. TO REMOVE SCALE, USE 1 tsp. WHITE VINEGAR TO 1 CUP OF WATER, LET STAND, RINSE, REPEAT IF NECESSARY.

**WARNING**

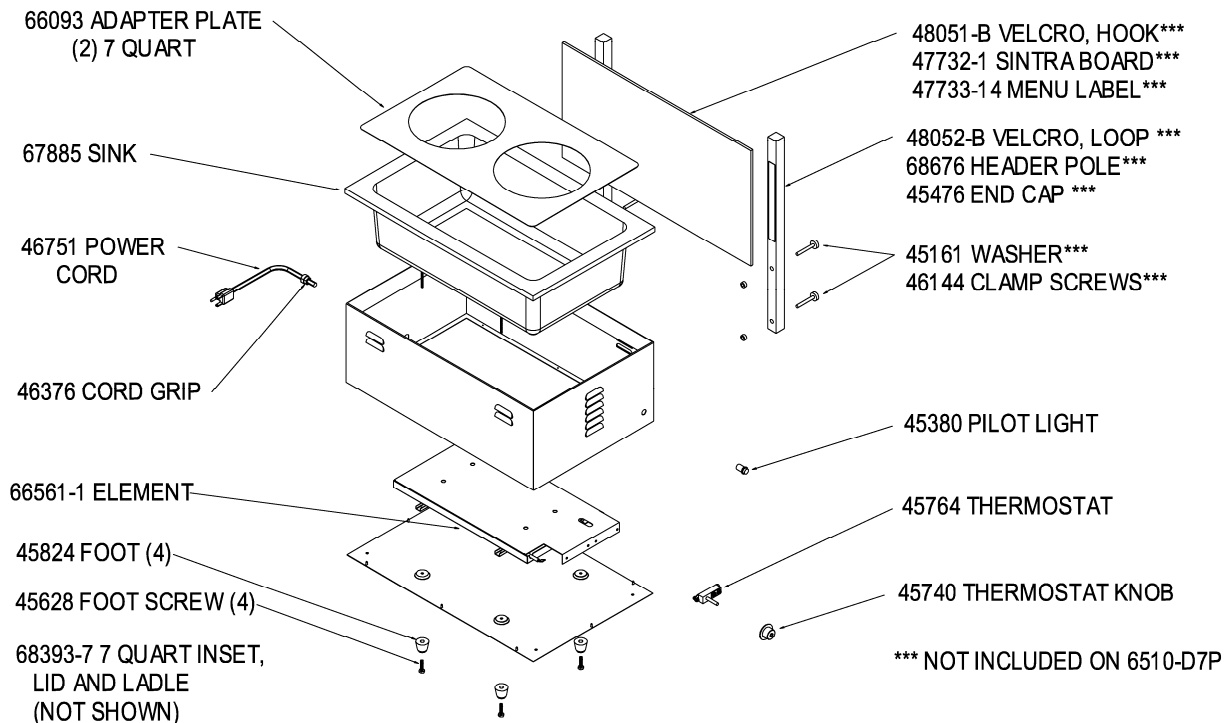
**THIS APPLIANCE MUST BE GROUNDED. ELECTRICAL SHOCK CAN OCCUR IF APPLIANCE IS NOT GROUNDED.**

**REPAIR: TO AVOID SERIOUS INJURY OR DAMAGE, DO NOT REPAIR THE UNIT OR REPLACE A DAMAGED POWER CORD YOURSELF. REPAIRS MUST BE COORDINATED THROUGH NEMCO FOOD EQUIPMENT  
301 MEUSE ARGONNE**

**HICKSVILLE, OH 43526  
419-542-7751**

**DO NOT PUT FOOD PRODUCT DIRECTLY INTO THE SOUP MERCHANDISER WELL  
FOOD MUST ALWAYS BE PLACED IN AN INSET.**

**DO NOT IMMERSE UNIT IN ANY LIQUID OR SPRAY UNIT TO CLEAN  
THE USE OF WATER IN THE WELL IS REQUIRED TO MAINTAIN SAFE FOOD TEMPERATURES!**



**NEMCO FOOD EQUIPMENT** 301 Meuse Argonne, Hicksville, OH 43526  
1-800-782-6761 Toll Free 419-542-6690 Fax  
[www.nemcofoodequip.com](http://www.nemcofoodequip.com)



47383  
6-09-2009